

GalvinCare® Hand Held Shower Kit

Specification Data Sheet



Features

- 15 BSP connection for easy installation.
- 15 BSP connection for all hose types.
- Brass swing arm with stainless steel spring.
- Stainless steel fasteners.
- High polished chrome plate finish for easy cleaning and added durability.
- 1500mm inlet hose and 1700mm outlet hose.
- Chrome brass slide cradle with height adjustment pull rod.
- 1000mm x 32mm hygienic stainless steel grab rail with pull rod.
- Wall inlet elbow features 9L/min flow INTERCHANGE® spigot with separate licensed dual check non-return valve.
- Suits installation post AS1428.1 2009 code changes.

To Specify

The GalvinCare® healthcare range has been chosen to provide safe and reliable showering for both able bodied people and people with disabilities. When considering the shower cubicle options in care facilities or bathrooms provisions for assistance must be considered where someone is incapable of performing the cleaning task unaided.

Code:

CLEVAKIT4 - GalvinCare® Hand Held Shower Kit with 1000 x 32 Stainless Steel Grab Rail, Pull Rod ClevaCare® Shower Arm and CliniLever® Single Lever Mixer (Low outlet).



A family
owned
Australian
business



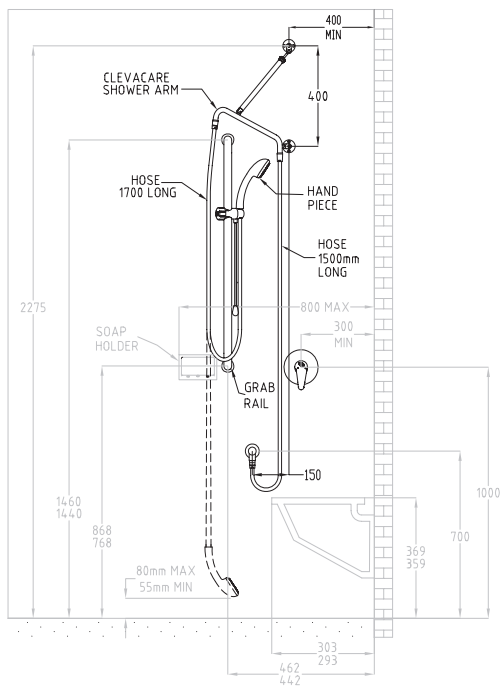
galvinspecialised
commercial taps + fixtures

Performance Standards & Approvals

- AS/NZS 3662 - WaterMark
- WELS 3 Star Rating



Typical Dimensions



Technical Information

- Inlet: 15 BSP Female
- Outlet: Handheld shower
- Headwork: Ceramic cartridge
- Operating temperature range (°C): 5 Min - 55 Max
- Operating pressure range (kPa): 150 Min - 500 Max
- Nominal flow rate (LPM): 9
- Finish: Chrome

Maintenance & Cleaning

Galvin Specialised products should be cleaned with a soft damp cloth using only mild liquid detergent or soap and water. Do not use cleaning agents containing a corrosive acid, scouring agent or solvents. Do not use cream cleaners, as they are abrasive. Use of unsuitable cleaning agents may damage the surface. Any damage caused in this way will not be covered by warranty.

Regular maintenance should be carried out in accordance with the installation and troubleshooting guides provided with the product, relevant Australian Standards, local authorities and state codes.

Warranty

Galvin Specialised products are covered under our Manufacturer's Warranty at www.galvinengineering.com.au. Galvin Specialised products must be installed in accordance with the installation instructions and in accordance with AS3500 and the PCA, relevant Australian Standards and local authorities applicable to product being installed. Water and electrical supply conditions must also comply to the applicable national and/or state standards, failing to comply with these provisions may void the product warranty and affect performance of the product.

Whilst all reasonable care has been taken in compiling the information in this document, the designs, dimensions and products shown are indicative only and should not be relied upon without our prior approval. Due to our policy of continuous development, we reserve the right to alter any details of specifications or products without notice. All information, drawings, technical specifications and product designs remains the property of Galvin Engineering Pty Ltd.

410 Victoria Rd, Malaga, WA 6090
Within Australia: **1300 514 074** Outside Australia: P: +61 (0)8 9249 5900
F: +61 (0)8 9249 5916
sales@galvinengineering.com.au
www.galvinspecialised.com.au

ABN: 78 008 719 382

PERTH | SYDNEY | MELBOURNE | BRISBANE | ADELAIDE

A business unit of

GalvinEngineering
the mark of reliability

